
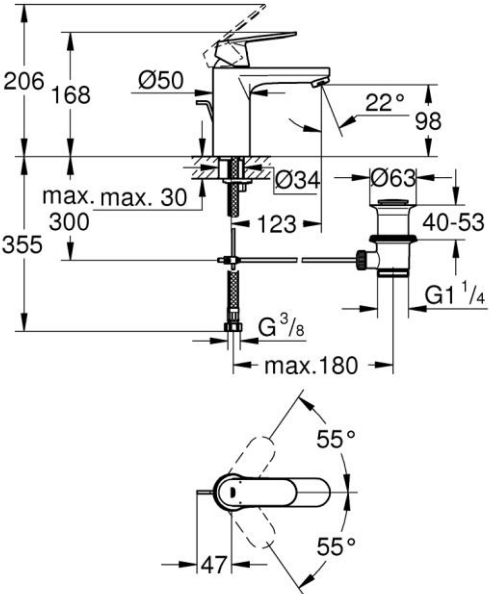




PROJECT		REF		REV	ITEM CODE	
LOCATION		DATE			PAGE	

## SANITARY WARE SPECIFICATION SHEET

<p>Item Descriptions</p> <p>Dimensions</p> <p>Model</p> <p>Material</p> <p>Country of Origin :</p> <p>Manufacturer</p> <p>Supplier</p> <p>Contact Tel/Fax</p> <p>E-mail</p> <p>Website</p>	<p>GROHE (Germany) "Eurosmart Cosmopolitan" Chrome plated single lever basin mixer 1/2" ; Nominal flow rate <b>4 L/Min</b> in <b>WELS Grade 1</b> ; Registration No. TM 23-0003</p> <p>Height: 168 mm</p> <p>23325000 (Mixer) 402717040 (Aerator)</p> <p>Chrome Plated</p> <p>Thailand GROHE Limited</p> <p>Acme Sanitary Ware Co. Ltd Mr. Eric Wong/ Mr. Don Yuen</p> <p>(852) 2388-7171 / (852) 2710-8012 acme@acmesanitary.com.hk www.acmesanitary.com.hk</p>	<p>Illustration/ Drawing</p>   <p><b>Grohe flexible pipe no. 413547040</b></p>
<p><b>Eurosmart Cosmopolitan</b> <b>Basin mixer 1/2" M-Size</b></p> <ul style="list-style-type: none"> <li>• monobloc installation</li> <li>• metal lever</li> <li>• GROHE SilkMove 35 mm ceramic cartridge</li> <li>• adjustable flow rate limiter</li> <li>• GROHE Long-Life finish</li> <li>• GROHE Water Saving mousseur 5.7 l/min</li> <li>• GROHE FastFixation installation system</li> <li>• pop-up waste set 1 1/4"</li> <li>• flexible connection hoses</li> <li>• optional temperature limiter (46 375 000)</li> </ul>		

Note:

\* All information of the above is for reference only. No prior notice is made if any changes.

註冊號碼 (Registration No.): TM 23-0003



自願參與用水效益標籤計劃 - 水龍頭  
Voluntary Water Efficiency Labelling Scheme - Water Taps



註冊證書

Registration




茲證明  
This is to certify that

將下列水龍頭在本計劃內註冊：  
has registered the following water tap under this scheme :

牌子 / Brand	:	Grohe
型號 / Model	:	23325XXX + 402717040
種類 / Type	:	Mixing
原產地 / Country or Region Origin	:	Thailand (Mixer) Germany (Flow Controller)

XXX – denotes the code of colour

在用水效益標籤上展示的標誌 <i>Symbolic Presentation on the Water Efficiency Label</i>	:		滴水點 <i>Water droplet(s)</i>
用水效益級別 <i>Water Efficiency Grade</i>	:	1	
耗水量 <i>Water Consumption</i>	:	4.0	公升/分鐘 <i>litres/minute</i>

簽發日期：  
Date of Issue:

13 January 2023

 水務署  
Water Supplies Department



水務署署長(林麗恒代行)  
for Director of Water Supplies



水務署  
Water Supplies Department

總部 Headquarters

香港灣仔告士打道七號入境事務大樓 48 樓

7/F Immigration Tower, 7 Gloucester Road, Wan Chai, Hong Kong

本署  
Our  
來函  
Your ref.



321/2022 T/J(1165/2022)

電話

Tel.

傳真

Fax.

:

:

2824 0578

2 December 2022



**Approval of "GROHE" Basin Mixer  
(General Acceptance No. C20221106)**

Your letters ref. WRC/2799 and C-WSD/0961 dated 7 October 2022 and 8 November 2022 respectively refer.

Having considered the test report ref. 222320PC220145 issued on 9 September 2022 by Fugro Technical Services Ltd., this Authority accepts that the fitting described below complies with, and its use when correctly installed does not contravene, the Waterworks Ordinance and Regulations.

**Name of Manufacturer:** Grohe AG

**Country of Origin:** Thailand

**Brand:** Grohe

**Details of Fitting:** 3/8" Single lever basin mixer

**Model:** 23325XXX  
(where "XXX" denotes the code of colour)

**Body Markings:**

**Expiry Date:** 13 July 2027

This Authority hereby permits the use of the above fitting in fresh water plumbing systems subject to full adherence to Waterworks installation requirements. In particular, you are required to draw your customers' attention to the following requirement-

"The cold water supply to the fitting shall be drawn from the same source that supplies the hot water apparatus so as to provide a balanced pressure and to obviate the risk of scalding in the event of a restriction or failure in the water supply."

A condition of this acceptance is that the fitting to be installed shall be replicas of the sample as certified by the testing agent mentioned above and without modifications. This acceptance may be withdrawn at any time if the standard of the fitting installed fails to meet that of the approved sample or if the fitting is found to be unsuitable for use in fresh water plumbing systems.

This acceptance is only applicable to the main body of the fitting, unless otherwise specified.

For the use of the fitting in any project, the General Acceptance Number of this letter must be quoted as a means of identification of acceptance of the fitting by this Authority.

Should you have any enquiries, please contact our Engineer Ms Winnie LO at tel. no. 3583 4086.

Yours faithfully,



(YAU Hau Yin)

for Director of Water Supplies

Encl.

c.c.      WSD 3321/1/82    ] - without catalogue  
            ME/MC            ] - with soft copy only



水務署  
Water Supplies Department

總部 Headquarters

灣仔告士打道七號入境事務大樓 48 樓

Immigration Tower, 7 Gloucester Road, Wan Chai, Hong Kong



本  
Our  
來函檔  
Your ref.

3321/2021 T/J(784/2021)

電話  
Tel.  
傳真  
Fax. : 2824 0578



30 June 2021

Dear Sir,

**Approval of “GROHE” Flexible Hose  
(General Acceptance No. C20210677)**

Your letter ref. WRC/2545 dated 12 May 2021 refers.

Having considered the test report ref. 202535EN202908 issued on 8 March 2021 by Fugro Technical Services Limited, this Authority accepts that the fitting described below complies with, and its use when correctly installed does not contravene, the Waterworks Ordinance and Regulations.

**Name of Manufacturer:** Grohe AG  
**Country of Origin:** Germany  
**Brand:** Grohe  
**Details of Fitting:** Stainless steel braided inlet flexible hose for tap/mixer  
**Model:** 413547040  
**Size:** Bore diameter: 6mm  
End connection: 3/8"  
**Body Markings:**  



**Expiry Date:** 19 February 2026

This Authority hereby permits the use of the above fitting in fresh water plumbing systems subject to full adherence to Waterworks installation requirements. In particular, you are required to draw your customers' attention to the following requirement-

“The inlet flexible hose is applied for the water tap or mixer connection only and installed in the fresh water plumbing systems.”

A condition of this acceptance is that the fitting to be installed shall be replicas of the sample as certified by the testing agent mentioned above and without modifications. This acceptance may be withdrawn at any time if the standard of the fitting installed fails to meet that of the approved sample or if the fitting is found to be unsuitable for use in fresh water plumbing systems.

For the use of the fitting in any project, the General Acceptance Number of this letter must be quoted as a means of identification of acceptance of the fitting by this Authority.

Should you have any enquiries, please contact our Engineer Mr. Terry KUNG at tel. no. 3583 4086.

Yours faithfully,



(Roger WONG)  
for Director of Water Supplies

Encl.

c.c. WSD 3321/1/82 ] - without catalogue  
ME/MC ] - with soft copy only